

SOORIKIAN

FURNITURE

219 FAIRFIELD STREET

DECATUR, GA 30030

T. 404 222 0994

F. 404 378 1855

www.SOORIKIAN.COM



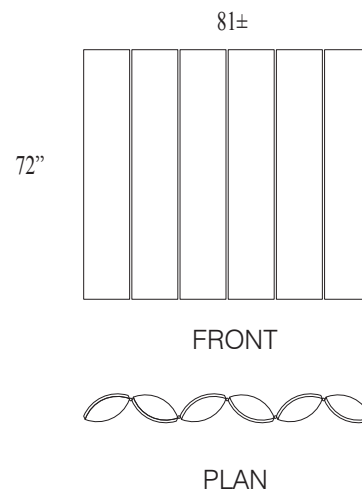
Winner of a 2004 Good Design Award

Featured in *Metropolitan Home*

[editor's choice] American Beauties
March 2005

By creating single surfaces with opposing curvature, we aimed to capture this essence of transition in the Double Curved Screen. Its intrigue lies in the interplay of convex and concave forms within each panel and between the adjacent panels. The result is a composition of undulating rhythm that, at first glance, playfully boggles the mind, and begs further examination. The custom designed hinges are placed at the top and bottom creating slivers of space which articulate the opposing rhythm of the leaves. This is a great piece to help define smaller spaces within a larger room or to obscure a semi private area from view.

DIMENSIONS



Each additional leaf adds approximately 13-1/2" to the width



DOUBLE CURVE SCREEN